

**VacuMaster™  
Economy Vacuum Pumps**

- › Performance tested to meet Robinair’s high standards
- › Power and capacity for a wide range of service applications.
- › High CFM rating for fast, thorough evacuation.
- › Two-stage rotary vane design.

**Features:**

**Two-stage Design** – Cleans the system more thoroughly than a single-stage pump; the second stage starts pumping at a lower pressure so you can pull a deeper, ultimate vacuum.

**Oil Drain Valve** – Positioned at the bottom of the oil reservoir and angled for faster, more complete draining.

**Oil Fill Port** – Makes adding oil simple since the port is accessible from the front or either side. The sight glass on the front of the pump shows you when enough oil has been added.

**Heavy-Duty Motor** – High torque design for easy startup and efficient operation.

**Die-Cast Aluminum Housing** – Cast aluminum housings make the pumps lightweight and durable.



15150 – 1.5 CFM  
15300 – 3 CFM  
15500 – 5 CFM



15800 – 8 CFM

Model	Free Air Displacement	Factory Micron Rating	No. of Stages	Intake Fitting	Oil Capacity	Motor Size	Voltage	Weight	Dimensions
<b>Domestic Models</b>									
15150	1.5 CFM	50 microns	2	1/4" MFL and 3/8" Acme 3/8" FFL x 1/2" Acme adapter	7.4 oz. (219 ml)	1/4 hp	115V 60Hz	22 lbs. (10 kg)	9.5" H x 4.75" W x 12.5" L 240 mm x 120 mm x 315 mm
15300	3 CFM	35 microns	2	1/4" MFL and 3/8" MFL 3/8" FFL x 1/2" Acme adapter	7.5 oz. (220 ml)	1/3 hp	115V 60Hz	28 lbs. (12.5 kg)	10" H x 5" W x 13" L 255 mm x 123 mm x 336 mm
15500	5 CFM	35 microns	2	1/4" MFL and 3/8" Acme 3/8" FFL x 1/2" Acme adapter	7.5 oz. (220 ml)	1/3 hp	115V 60Hz	28 lbs. (12.2 kg)	10" H x 5" W x 13" L 255 mm x 123 mm x 336 mm
15800	8 CFM	35 microns	2	1/4" MFL and 3/8" MFL	18.6 oz. (550 ml)	1 hp	115V 60Hz	37 lbs. (16.8 kg)	16" H x 6" W x 10" L 406" mm x 152mm x 254mm
<b>International Models</b>									
15301 3 CFM	71 liters/ minute	35 microns	2	1/4" MFL and 1/2" MFL 3/8" FFL x 1/2" Acme adapter	7.5 oz. (220 ml)	1/3 hp	220V 50Hz	28 lbs. (12.5 kg)	10" H x 5" W x 13" L 255 mm x 123 mm x 336 mm
15501 5 CFM	118 liters/ minute	35 microns	2	1/4" MFL and 1/2" Acme 3/8" FFL x 1/2" Acme adapter	7.5 oz. (220 ml)	1/3 hp	220V 50Hz	28 lbs. (12.5 kg)	10" H x 5" W x 13" L 255 mm x 123 mm x 336 mm

**RAVG-1**

**Digital Vacuum Gauge  
Easy as 1 - 2 - 3**

**Connect, Measure, Test**

The RAVG-1 employs a sophisticated MEMS Pirani type sensor that directly measures flow. Unlike all other field service gauges on the market, the RAVG-1 is NOT affected by temperature.

The RAVG-1 measures vacuum from Atmosphere to 10 microns in 6 different scales, and can withstand overpressure beyond 30 bar. The unit employs an industry first multi-color backlight that functions as an instant go/no go indicator of acceptable vacuum or leakage.



**Features**

- › High Resolution and unique backlight indicator make precision readings easy
- › Patent Pending design, employs a sophisticated MEMS Pirani sensor
- › Range from Atmosphere down to 10 microns
- › Measure vacuum in Microns, mmHg, inHg, mBar, Pascals or Torr
- › Extremely accurate at low micron levels
- › Impact and water resistant case with protective Rubber boot
- › Rapid response to changes in vacuum
- › Large easy to read 5 digit display
- › Auto shut off feature prolongs battery life
- › Battery powered
- › Integrated "magnetic" hook
- › Includes carrying case and tee adapters or in-line connections (1/4" MFL x 1/4" MFL and 1/4" FFL x 1/4" MFL versions)

**Specifications**

<b>Operating Range</b>	Atmosphere to 10 Microns
<b>Resolution</b>	As low as 5 Microns/ 0.005mmHg/0.002inHg/0.00 7mBar/0.66Pa/0.005Torr
<b>Accuracy</b>	As low as +/- 5 % of RDG
<b>Over pressure</b>	~ 31 Bar/450 psi
<b>Measuring Units</b>	Microns/mmHg/inHg/ mBar/Pa/Torr
<b>Display</b>	5 digit STN LCD, 50 x 30 mm with tricolor LED backlight
<b>Power Supply</b>	3 x size "AAA" 1.5 V batteries included
<b>Input Connection</b>	1/8"-27 NPT Male



Highlight: Integrated "Magnetic Hook" or connect to a manifold.



First time introduction: 3 color backlight display offers at one glance the vacuum process status

# Vacuum Pumps



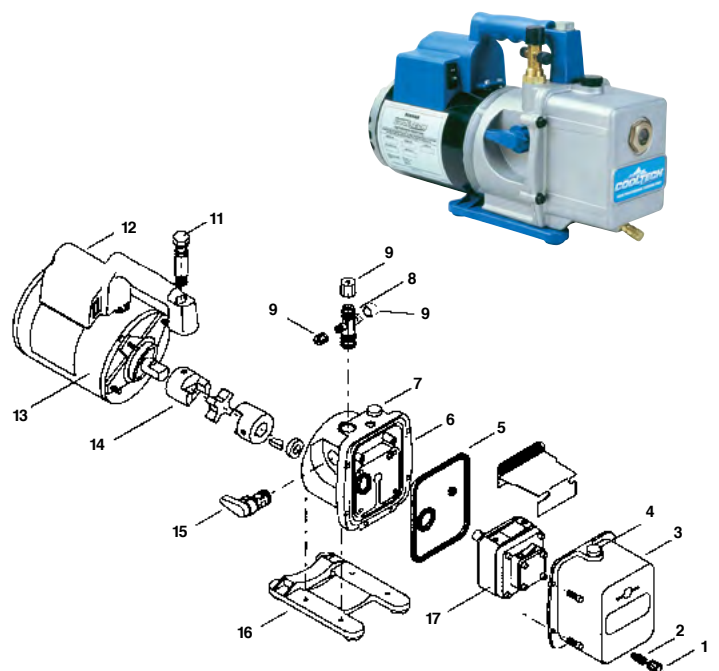
## 15150, 15151, 15155, 15203, 15300, 15301 15355, 15500, 15501, 15505 and 15800 Parts List

Part No.	Description
556672	Handle and Switch Assembly (Models 15300 & 15500)
556673	Handle and Switch Assembly (Models 15301 & 15501)
556674	Oil Drain Fitting
523194	Capacitor (all models)
523195	Oil Fill Plug
523197	Base (all models)
556675	Housing Gasket (all models)

Part No.	Description
556676	Exhaust Fitting (all models)
523208	Inlet Fitting Adapter, 3/8" External Flare x 1/2" Internal ACME
525402	Inlet Fitting, 1/4" and 3/8" External Flare
525488	Inlet Fitting Adapter, 3/8" Internal Flare x 1/2" External ACME
557048	Inlet Fitting Adapter, 1/4" Internal Flare x 3/8" External Flare
556677	Power Cord (Models 15300 & 15500)
556678	Power Cord (Models 15301 & 15501)

## 15400 & 15600 Parts List

Item No.	Part No. 15400	Part No. 15600	Description
1	40572	40572	Oil Drain Cap (qty. 6)
2	48116	48116	Oil Drain Kit (includes oil drain cap)
3	15337	15337	Module Cover Kit (includes items 2, 4, 5)
4	15371	15371	Oil Fill Cap (includes gas ballast valve)
8	15364	555124	Intake Fitting (includes intake caps)
9	555133	555133	Intake Caps 1/4", 3/8" and 1/2" flare; 1 ea.)
11	15338	15338	Vent Bolt (includes o-rings)
12	15366	15366	Handle, Power Cord, Switch Assembly
13	15365	15370	Motor
14	48103	48103	Coupling
15	15368	15368	Iso-Valve™ Assembly
16	15369	15369	Base and Foot Assembly
17	15547	15548	Replacement Module (includes Nos. 1 through 7)
--	15367	15367	Seal Replacement Kit (not shown)



4503.....	19	13204.....	15	18562.....	20	40449.....	13	68360A.....	13
4504.....	19	14322.....	20	18706.....	20	40464.....	14	68372A.....	13
6502.....	19	14322-1.....	20	19498.....	3	40553.....	14	68396A.....	13
6512.....	18	14322-2.....	20	19776.....	3	40563A.....	14	68420.....	13
6514.....	18	14322-3.....	20	25200B.....	3	40572.....	14	69036A.....	13
6515.....	19	14322-4.....	20	25201B.....	3	40653B.....	13	69060A.....	13
10102.....	14	14322-5.....	20	30036.....	13	40677.....	13	69072A.....	13
10250.....	14	14322-6.....	20	30060.....	13	40859.....	7	69096A.....	13
10292.....	14	14322-7.....	20	30072.....	13	41670.....	11	100343.....	1, 2
10469A.....	14	14450.....	19	31036.....	13	41671.....	11	LD3.....	5
10470A.....	14	14773.....	14	31060.....	13	41676.....	12	LD5.....	5
10596.....	7	14774.....	14	31078.....	13	41698.....	13	LD7.....	5
10597.....	7	14998.....	19	31079.....	13	42022.....	18	RAVG-1.....	17
10778.....	14	15120A.....	16	31096.....	13	42022.....	20	RG3.....	2
10945.....	7	15121A.....	16	32036.....	13	42024.....	18	RG3-230.....	2
10994.....	18	15150.....	17	32060.....	13	42028.....	18	RG6.....	1
11724.....	12	15195.....	14	32072.....	13	42035.....	18	RG6-230.....	1
11725.....	12	15300.....	17	32096.....	13	42040.....	18	SK-5001.....	1, 2
11734.....	12	15301.....	17	33036.....	13	42062.....	18	SK-6002.....	1, 2
11735.....	12	15400.....	16	33060.....	13	42071.....	18	RAVG-1.....	17
11744.....	12	15401.....	16	33096.....	13	42073.....	18	TIF785.....	9
11745.....	12	15434.....	16	38172A.....	13	42080.....	18	TIF7201.....	9
11754.....	12	15495.....	14	38272A.....	13	42083.....	18	TIF7610.....	9
11755.....	12	15500.....	17	38372A.....	13	42090.....	18	TIF7612.....	9
11794.....	12	15501.....	17	39072A.....	13	42160.....	6	TIF7620.....	9
11795.....	12	15555.....	14	40082.....	13	42162.....	6	TIF8800X.....	6
11797.....	12	15600.....	16	40083.....	13	42170.....	20	TIF8800X-E.....	6
11798.....	12	15601.....	16	40084.....	13	42216.....	11	TIF8801.....	6
11804.....	12	15800.....	17	40120-R410A.....	20	42248.....	11	TIF8801.....	6
11805.....	12	16215.....	8	40152.....	11	42266.....	11	TIF8802.....	6
11824.....	12	16330.....	8	40153.....	11	42278.....	11	TIF8802E.....	6
11825.....	12	16332.....	8	40156.....	20	42296.....	11	TIF8803A.....	6
11835.....	12	16336.....	8	40169.....	11	43160.....	10	TIF8805.....	6
11854.....	12	16337.....	8	40170.....	11	43166.....	10	TIF8806A.....	6
11855.....	12	16338.....	8	40174.....	11	43180.....	10	TIF8806B.....	6
11874.....	12	16451.....	7	40232.....	13	43186.....	10	TIF8808.....	6
11875.....	12	16455.....	7	40288.....	14	43230.....	7	TIF8809.....	6
11910.....	10	16458.....	7	40291.....	14	43240.....	7	TIF8818.....	6
11920.....	10	17121.....	3	40302.....	14	44997.....	19	TIF8900.....	6
12294.....	19	17506.....	3	40330.....	14	65060.....	13	TIF8900-E.....	6
12458.....	19	17572.....	3	40336.....	14	65160.....	13	TIF9010A.....	4
12479.....	18	17605.....	3	40352.....	13	65260.....	13	TIF9020A.....	4
12540.....	20	17800C.....	3	40380.....	14	65360.....	13	TIF9030.....	4
13067.....	13	17800C-230.....	3	40384.....	14	68020.....	13	TIF9031.....	4
13110.....	14	18180.....	13, 14	40386.....	14	68118.....	20	TIF9055.....	4
13119.....	15	18403.....	19	40396.....	14	68136A.....	13, 20		
13142.....	14	18451.....	14	40398.....	14	68160A.....	13		
13143.....	14	18501.....	14	40410.....	14	68172A.....	13		
13144.....	14	18511.....	14	40416.....	14	68196A.....	13		
13145.....	14	18512.....	14	40417.....	14	68236A.....	13		
13148.....	13	18513.....	14	40419.....	14	68260A.....	13		
13149.....	12	18514.....	14	40420.....	14	68272A.....	13		
13184.....	18	18560.....	14	40422.....	14	68296A.....	13		
13203.....	15	18561.....	14	40427.....	14	68336A.....	13		